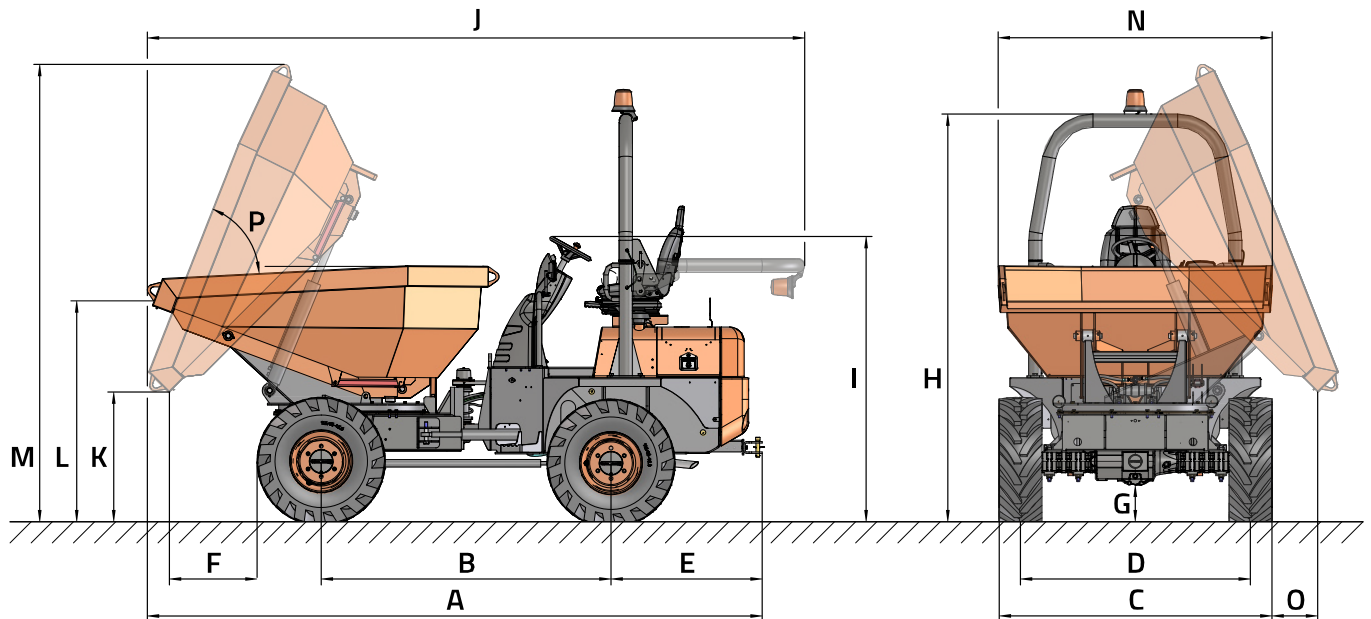




TECHNICAL DATA

GENERAL		D 350 AHG
Unloading system	-	Rotating
Load capacity	kg	3500
Chassis	-	Articulated and oscillating
Water hopper capacity	l	1020
Level hopper capacity	l	1790
Heaped hopper capacity	l	2130
Empty weight	kg	2831
Transmission	-	Hydrostatic
ENGINE		
Brand	-	KUBOTA
Model	-	D1803-CR-T-E5B
Power	kW	32,8
Operating speed	rpm	2400
Torque	N·m@rpm	150,5@1500
No. of cylinders	-	3
Emissions	-	Stage V, EPA Tier4f
Injection	-	Common Rail and electronic management
Exhaust aftertreatment	-	DPF (Diesel particulate filter)
Noise	dB(A)	101
DRIVING		
Max. speed	km/h	19
Maximum gradient	%	54
External turning radius	mm	4515
Traction	-	4x4
Tyres	-	11.5/80-15.3
HYDRAULIC SYSTEM		
Hydraulic circuit	-	12 cc gear pump
Flow rate	l/min	26,6
Working pressure	bar	170
TANK CAPACITY		
Fuel	l	44
Hydraulic system	l	40
BRAKES		
Service	-	Sealed brakes with multiple discs in oil. Hydraulic drive
Parking	-	Sealed brakes with multiple discs in oil. Mechanical drive

DIMENSIONS



DIMENSIONS (mm)	D 350 AHG
A	4170
B	1960
C	1840
D	1555
E	1025
F	600
G	260
H	2770
I	1940
J	4450
K	870
L	1490
M	3090
N	1850
O	310
DIMENSIONS (°)	
P	65



www.ausa.com

Products are subject to modifications without prior notice. Images throughout the spec sheet may refer to non-standard machines or non-available configurations depending on models.

AUSA's logo and corporate identity are property of the Company, they cannot be used without authorization.